

# AF Series

## IEC Inlet Single Phase EMI Filters



The Ohmite AF series range of IEC Inlet type filters come in three designs. They are available with a fuse and switch and are designed to suppress undesirable electrical disturbances in Power Lines. They limit the amplitude of interfering voltages on AC power lines and prevent them from propagating into or out of the filtered equipment.



### FEATURES

- Integral IEC Connector
- Excellent performance/size ratio
- Single/Double Fuse Option
- Rated current up to 15 A
- Snap-in or Screw Mount
- High Conducted attenuation performance
- Double Pole/Single Throw Switch
- Medical versions available

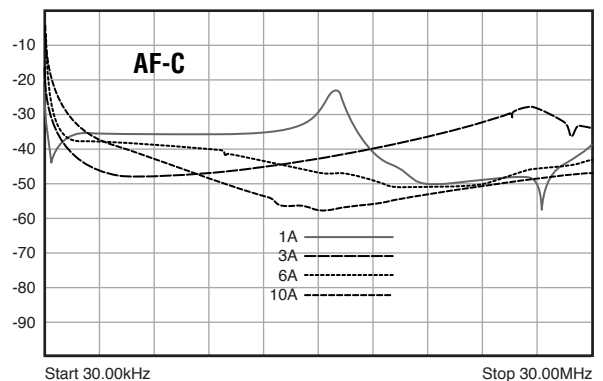
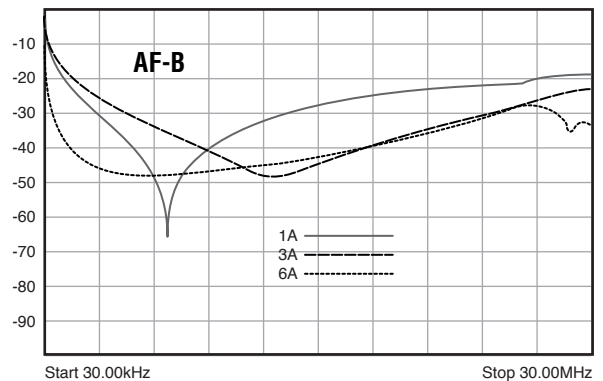
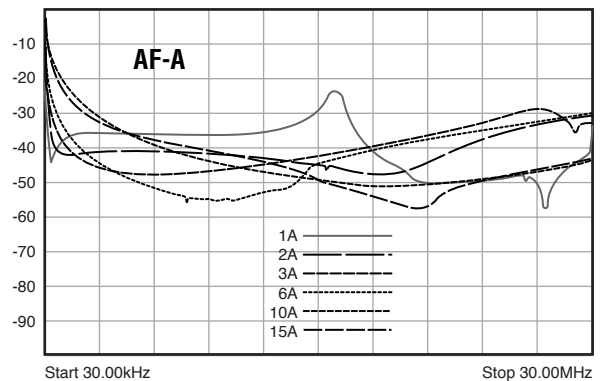
### APPLICATIONS

- Electrical & Electronic Equipment
- Testing & Measurement Equipment
- Household equipment
- Rack mounting equipment
- Power Systems
- Frequency converters
- Stepper motor drives
- UPS/Inverters

### CHARACTERISTICS

<b>Max. Cont. Oper. Voltage</b>	250VAC
<b>Operating Frequency</b>	50/60Hz
<b>Current ratings</b>	AF-A: 1A to 15A @40°C, AF-B: 1A to 6A @40°C; AF-C: 1A to 10A @40°C
<b>High Potential test voltage</b>	L to G 2120VDC for 1 Minute; L to L 1414VDC for 1 Minute
<b>Overload Capability</b>	135% of Rated current for 15 min.
<b>Design</b>	corresponding to UL60939-3, CSA 22.2 No.8-13 and IEC 60939
<b>Flammability</b>	corresponding to UL 94 V-0
<b>Temperature range</b>	-25°C to +85°C
<b>Climatic Category</b>	25/85/21
<b>Enclosure Material</b>	AF-A and B: Aluminium; AF-C: CRCA
<b>Termination</b>	Fastons 6.3 X 0.8mm
<b>Leakage Current</b>	0.34 mA @250VAC

### INSERTION LOSS



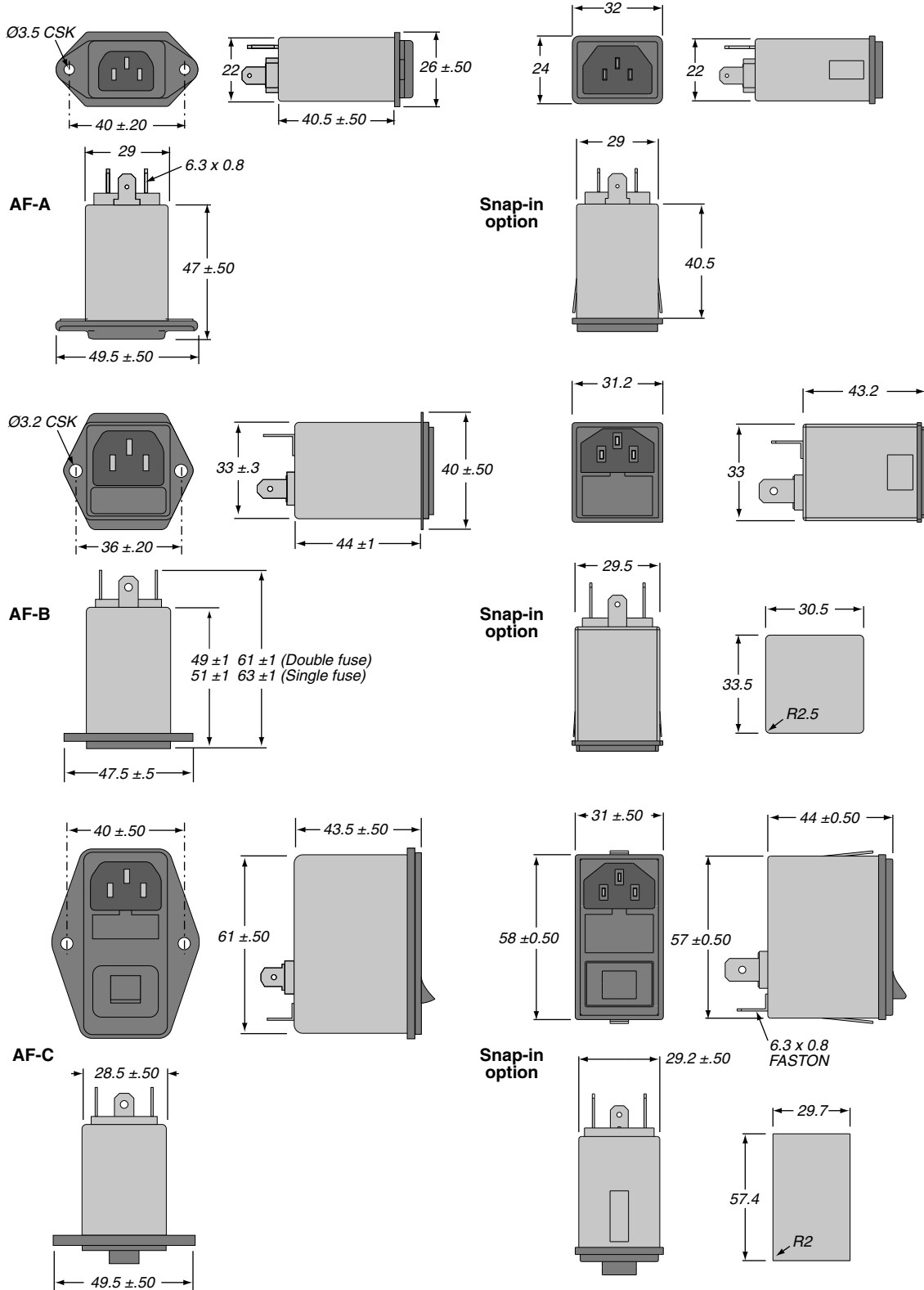
(continued)

# AF Series

## IEC Inlet Single Phase EMI Filters

### DIMENSIONS

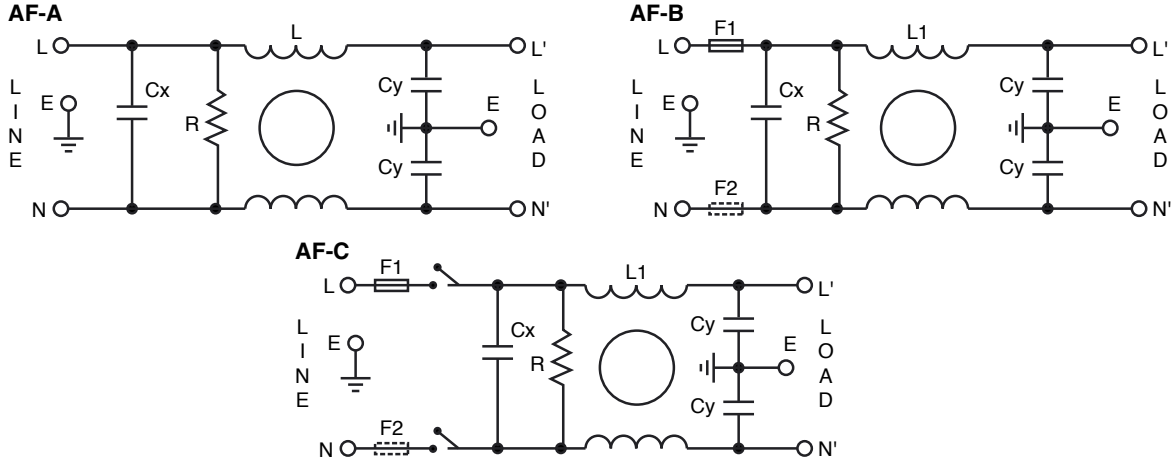
All dimensions in mm; Tolerances according to ISO2768-m



# AF Series

## IEC Inlet Single Phase EMI Filters

### CIRCUIT DIAGRAMS



### ORDERING INFORMATION

**AF - A 0 2 - S D**  
 Series Configuration Current rating Mounting  
 A = Inlet filter base B = Inlet filter fuse C = Inlet filter fuse and switch  
 Fuse  
 D = Dual  
 blank = single/none  
 S = Screw mount  
 N = Snap-in mount

Part No.	Rated current @40°C Weight (g)	
	Rated current	Weight (g)
AF-A01-S	1A	60
AF-A02-S	2A	60
AF-A03-S	3A	60
AF-A06-S	6A	60
AF-A10-S	10A	60
AF-A15-S	15A	60
AF-B01-S	1A	60
AF-B03-S	3A	60
AF-B06-S	6A	60
AF-C01-SD	1A	120
AF-C03-SD	3A	120
AF-C06-SD	6A	120
AF-C10-SD	10A	120